

KEK shuttle bus for users (KEK Tokai Building #1 ⇔ J-PARC)

KEK operates free shuttle busses between Tokai Campus and Tsukuba Campus for commuting and business trips, not only for employees but also users. Please refer to the time table.

《Requirements for boarding》

- ◆ Please bring **your user ID card** since there will be an entrance check at the main gate If you board from KEK Tokai Building #1 (Ichi-go-kan building)
- ◆ Please fill in the passenger list for between Tokai-Campus and J-PARC when boarding. There are 2 kinds of lists, the one for Tokai Campus ⇔ J-PARC and for Tokai ⇔ Tsukuba.
- ◆ Please note that you might not be able to board on the 1st, 3rd, 8th and 10th buses since there are a lot of passengers.

Operation Timetable (KEK Tokai Bldg.#1 ⇄ J-PARC)

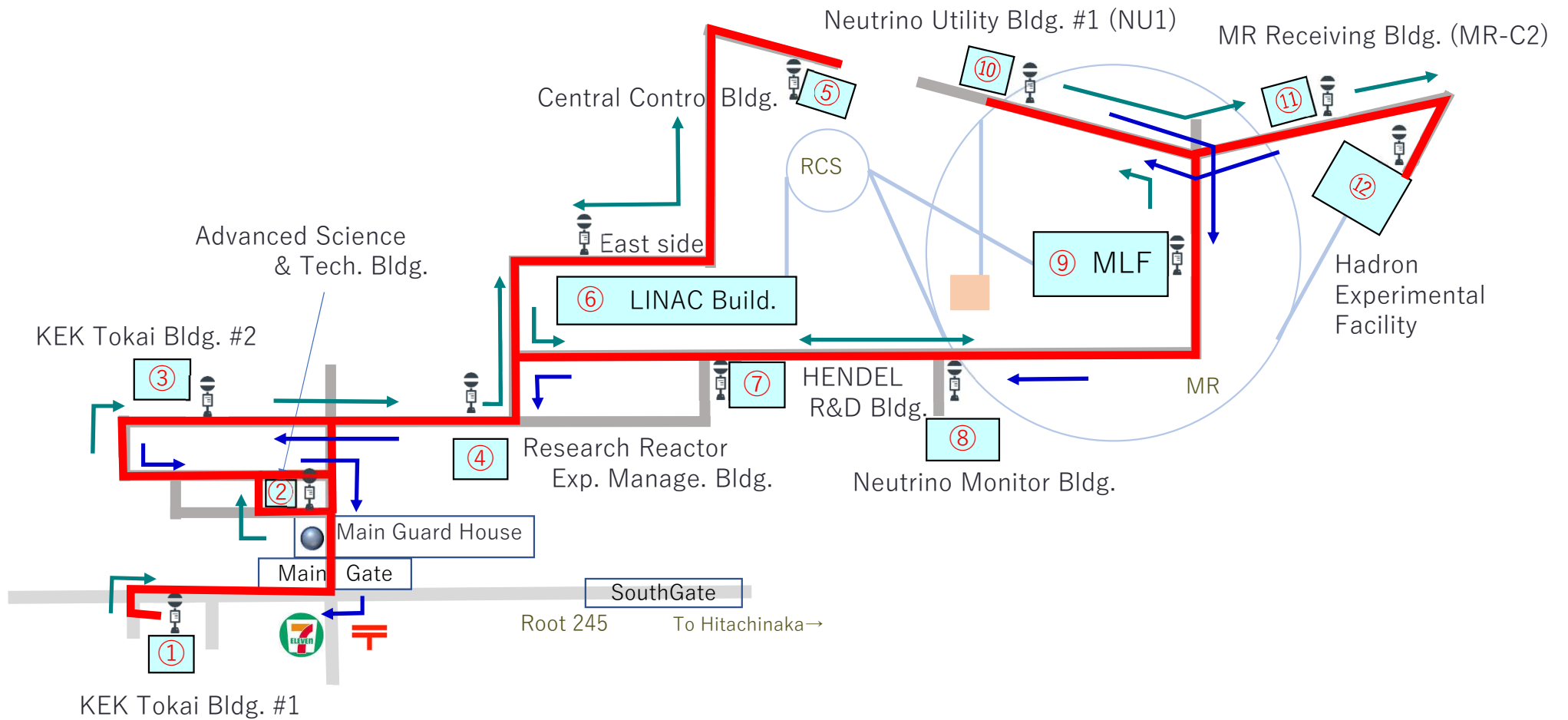
Bus Stop No.	①	—	⑤	⑧	⑨	⑩	⑫	⑫	⑩	⑨	⑧	⑤	①
KEK shuttle bus	KEK Tokai Bldg.#1	Main Gate (Entrance check)	Central Control Bldg.	Neutrino Monitor Bldg.	MLF	Neutrino Utility Bldg.#1(NU1)	Hadron Experimental Facility	Hadron Experimental Facility	Neutrino Utility Bldg.#1(NU1)	MLF	Neutrino Monitor Bldg.	Central Control Bldg.	KEK Tokai Bldg.#1
1st	—	Entrance check Time required 2 min.	8:44	8:48	8:49	8:50	8:53	—	—	—	—	—	9:03
3rd	9:20	Entrance check Time required 2 min.	9:28	9:32	9:33	9:34	9:37	—	—	—	—	—	9:50
2nd	10:00	Entrance check Time required 2 min.	—	—	—	—	—	10:10	10:12	10:13	10:14	10:17	10:26
4th	11:35	Entrance check Time required 2 min.	—	—	—	—	—	11:45	11:47	11:48	11:49	11:52	12:01
5th	13:13	Entrance check Time required 2 min.	13:21	13:25	13:26	13:27	13:30	—	—	—	—	—	13:43
6th	14:50	Entrance check Time required 2 min.	—	—	—	—	—	15:00	15:02	15:03	15:04	15:07	15:16
7th	16:13	Entrance check Time required 2 min.	16:21	16:25	16:26	16:27	16:30	—	—	—	—	—	16:43
8th	17:10	Entrance check Time required 2 min.	—	—	—	—	—	17:52	17:54	17:55	17:56	17:59	18:12
9th	18:31	Entrance check Time required 2 min.	18:47	18:51	18:52	18:53	18:56	—	—	—	—	—	—
10th	—	—	—	—	—	—	—	19:30	19:32	19:33	19:34	19:37	19:46

Stops other than those in the table above

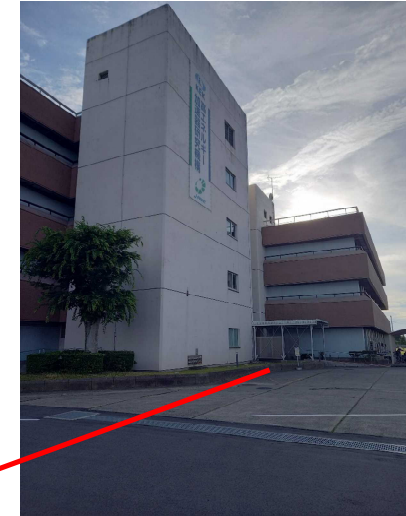
○Numbers are bus stop numbers

②Advanced Science & Tech Bldg. ③KEK Tokai Bldg.#2 ④Research Reactor Exp. Manage.Bldg.
⑥LINAC Bldg. EAST side ⑦HENDEL R&D Bldg. ⑪MR Receiving Bldg. (MR-C2)

Bus route map



KEK Tokai Bldg.#1 Bus Stop



Large Bus Vehicle Photos



※ May be operated by medium-sized buses